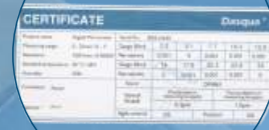


IP65 OIL & WATER PROOF DIGITAL MICROMETER

DIN 863 **mm/in** **Battery + CR2032** **IP65 COOLANT & FLUID RESISTANT**

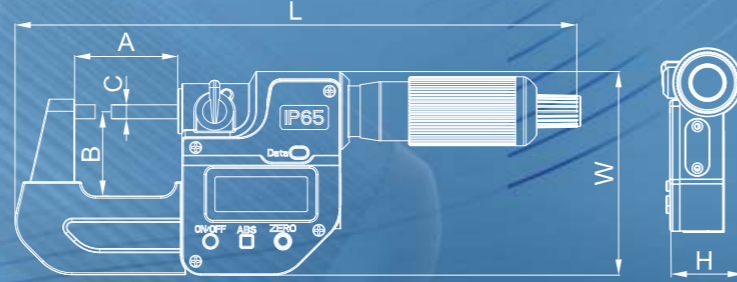
- With large easy-to-read LCD screen
- Strictly made in accordance with DIN863
- Spindle hardened, ground and lapped for ultimate accuracy
- With spindle lock
- With absolute, inch-metric conversion and zero-set function
- IP65 protection against liquid
- Stainless steel newly adapted on spindle
- Carbide measuring surfaces ground for longer service life



• With calibration certificate

• With ratchet stop for constant force (5- 8N 20% higher than normal)

• Clear graduations laser-etched on satin chrome finish for easy reading



Unit:mm

Code	Range	Resolution	A	B	C	L	W	H	Accuracy
4410-1105-A	0-25/0-1"	0.001/0.00005"	29.8	24.5	ø6.5	159.5	59.6	23.5	0.01/0.0005"
4410-1110-A	25-50/1-2"	0.001/0.00005"	55.3	31	ø6.5	188.5	75.7	23.5	0.01/0.0005"
4410-1115-A	50-75/2-3"	0.001/0.00005"	80.8	44	ø6.5	219	90.7	23.5	0.02/0.001"
4410-1120-A	75-100/3-4"	0.001/0.00005"	105.8	56	ø6.5	246.5	107.2	23.5	0.01/0.0005"

• New special carbide used on measuring anvil instead of traditional easy-wear off carbide tip

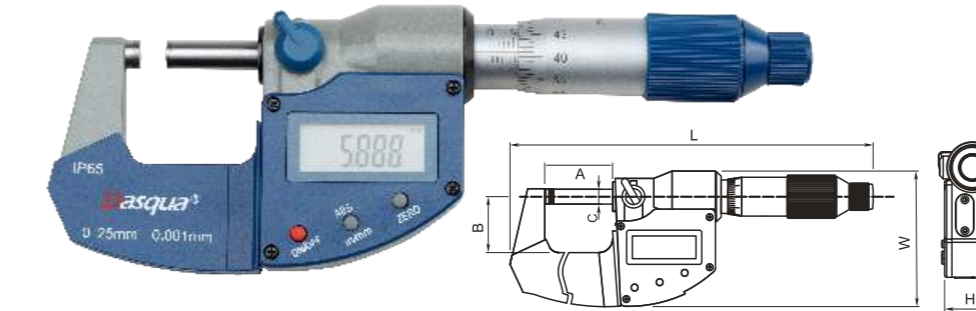


• IP65 Oil and waterproof ability

IP65 WATER PROOF DIGITAL OUTSIDE MICROMETER

- With large easy-to-read LCD screen
- Strictly made in accordance with DIN863
- Spindle hardened, ground and lapped for ultimate accuracy
- With spindle lock
- With absolute, inch-metric conversion and zero-set function
- IP65 protection against liquid
- Stainless steel newly adapted on spindle
- Carbide measuring surfaces ground for longer service life

DIN 863 **mm/in** **Battery + CR2032** **IP65 COOLANT & FLUID RESISTANT**



Unit:mm

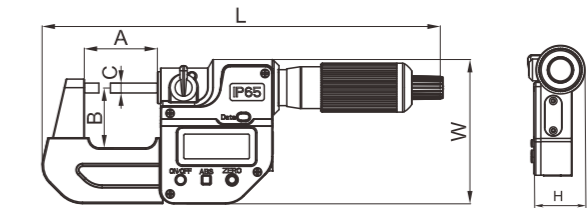
Code	Range	Resolution	Graduation	A	B	C	L	W	H	Accuracy
4410-1105	0-25/0-1"	0.001/0.00005"	0.01	29.8	24.5	ø6.5	159.5	59.6	23.5	0.003/0.00015"
4410-1110	25-50/1-2"	0.001/0.00005"	0.01	55.3	31	ø6.5	188.5	75.7	23.5	0.003/0.00015"
4410-1115	50-75/2-3"	0.001/0.00005"	0.01	80.8	44	ø6.5	219	90.7	23.5	0.004/0.00015"
4410-1120	75-100/3-4"	0.001/0.00005"	0.01	105.8	56	ø6.5	246.5	107.2	23.5	0.004/0.00015"
4410-1125	100-125/4-5"	0.001/0.00005"	0.01	130.8	68	ø6.5	278	125.3	23.5	0.005/0.0002"
4410-1130	125-150/5-6"	0.001/0.00005"	0.01	155.8	81	ø6.5	307.5	141.3	23.5	0.005/0.0002"

Unit:mm

Code	Range	Resolution	Graduation	A	B	C	L	W	H	Accuracy
4410-2405	0-25/0-1"	0.001/0.00005"	0.0001"	29.8	24.5	ø6.5	159.5	59.6	23.5	0.003/0.00015"
4410-2410	25-50/1-2"	0.001/0.00005"	0.0001"	55.3	31	ø6.5	188.5	75.7	23.5	0.003/0.00015"
4410-2415	50-75/2-3"	0.001/0.00005"	0.0001"	80.8	44	ø6.5	219	90.7	23.5	0.004/0.00015"
4410-2420	75-100/3-4"	0.001/0.00005"	0.0001"	105.8	56	ø6.5	246.5	107.2	23.5	0.004/0.00015"
4410-2425	100-125/4-5"	0.001/0.00005"	0.0001"	130.8	68	ø6.5	278	125.3	23.5	0.005/0.0002"
4410-2430	125-150/5-6"	0.001/0.00005"	0.0001"	155.8	81	ø6.5	307.5	141.3	23.5	0.005/0.0002"

IP65 DIGITAL MICROMETER WITH WIRELESS SYSTEM

Battery + CR2032 **DIN 863** **mm/in** **Data output**
WIRELESS TRANSMITTER **Absolute** **IP65 COOLANT & FLUID RESISTANT**



- Wireless System for data output
- With large easy-to-read LCD screen
- Strictly made in accordance with DIN863
- Spindle hardened, ground and lapped for ultimate accuracy
- With spindle lock
- With absolute, inch-metric conversion and zero-set function
- IP65 protection against liquid
- Stainless steel newly adapted on spindle
- Carbide measuring surfaces ground for longer service life

Unit:mm

Code	Range	Resolution	A	B	C	E	F	F	Accuracy
4410-2105-A	0-25/0-1"	0.001/0.00005"	29.8	24.5	ø6.5	159.5	59.6	23.5	0.03/0.0015"
4410-2110-A	25-50/1-2"	0.001/0.00005"	55.3	31	ø6.5	188.5	75.7	23.5	0.03/0.0015"
4410-2115-A	50-75/2-3"	0.001/0.00005"	80.8	44	ø6.5	219	90.7	23.5	0.04/0.0015"
4410-2120-A	75-100/3-4"	0.001/0.00005"	105.8	56	ø6.5	246.5	107.2	23.5	0.04/0.0015"