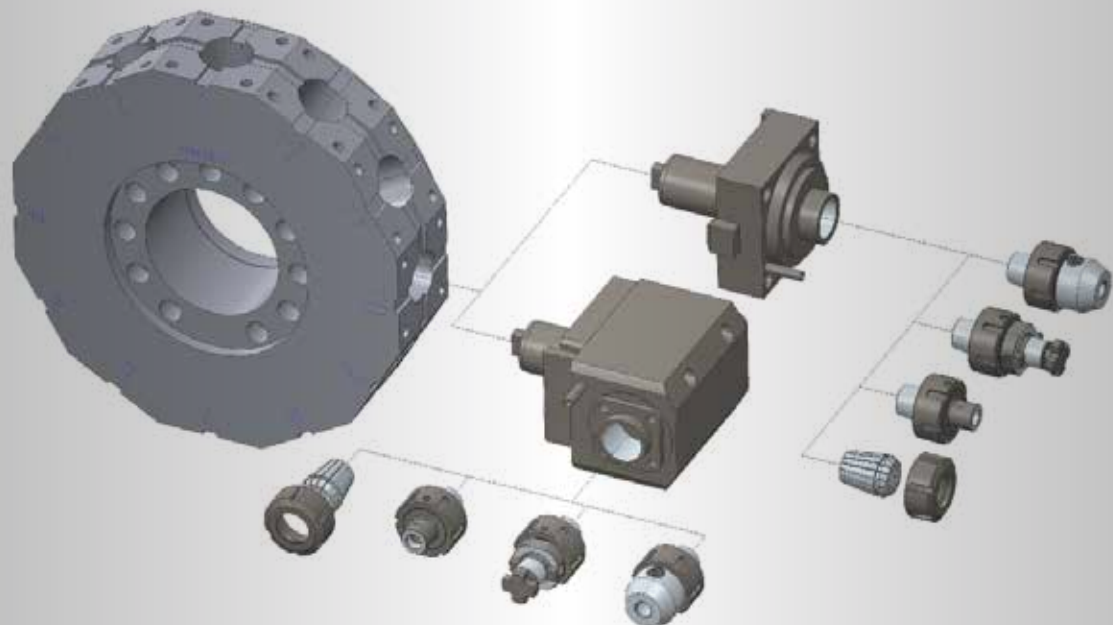


KINTEK

COMPONENTI INNOVATIVI TECNOMECCANICI



- KINTEK **FAST-IN**  HOLDERS RANGE FOR DRIVEN TOOLS ER25/ER32
- KINTEK **FAST-IN**  PROGRAMMA PORTAUTENSILI PER MOTORIZZATI USCITA ER25/ER32
- KINTEK **FAST-IN**  HALTER FÜR ER25/ER32 ANGETRIEBENE
- KINTEK **FAST-IN**  GAMME DE PORTE-OUTILS POUR MOTORISÉS ER25/ER32
- KINTEK **FAST-IN**  ДИАПАЗОН ОПРАВОК ДЛЯ ПРИВОДНЫХ ГОЛОВОК ER25/ER32
- KINTEK **FAST-IN**  用于动力刀座 ER25/ER32 的刀柄范围



sponsor
WORLD SUPERBIKE
2018



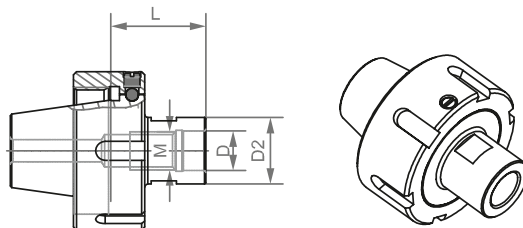
sponsor
PORSCHE MOBIL 1
SUPERCUP
2018



**SPANFUTTER FÜR EINSCHRAUBFRÄSER
MILLING CUTTER ARBORs FOR SCREW-ON TYPE MILLING CUTTERS
ОПРАВКИ ДЛЯ ФРЕЗЕРНЫХ ГОЛОВОК**

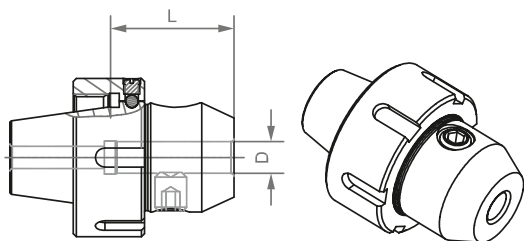
**MANDRINS POUR FRAISER A VISSER
MANDRINI PER FRESE CON ATTACCO FILETTATO
螺纹连接型铣刀的铣刀杆**

Code N.	Description	M	D	D2	L
217-86705	ER25H35M08	M8	8,5	13	35
217-86706	ER25H35M10	M10	10,5	18	35
217-86707	ER25H30M12	M12	12,5	21	30
217-86708	ER25H25M16	M16	17	29	25
217-86701	ER32H35M08	M8	8,5	13	35
217-86702	ER32H35M10	M10	10,5	18	35
217-86703	ER32H30M12	M12	12,5	21	30
217-86704	ER32H25M16	M16	17	29	25



**ZYLINDERSCHAFTAUFNAHME WELDON
END MILL HOLDERS WELDON
ОПРАВКИ С КРЕПЛЕНИЕМ WELDON**

**MANDRINS POUR OUTILS TYPE WELDON
MANDRINI PORTAFRESE TIPO WELDON
威尔登式端铣夹具**

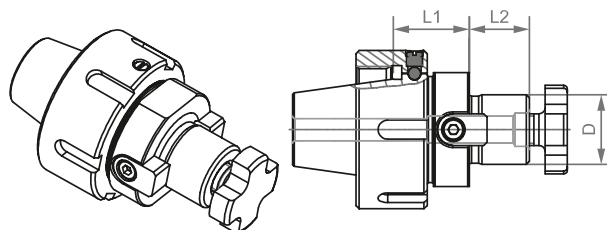


Code N.	Description	D	L
213-16707	ER25H35WE06	6	35
213-16708	ER25H35WE08	8	35
213-16709	ER25H39WE10	10	39
213-16710	ER25H43WE12	12	43
213-16701	ER32H35WE06	6	35
213-16702	ER32H35WE08	8	35
213-16703	ER32H39WE10	10	39
213-16704	ER32H43WE12	12	43
213-16705	ER32H43WE14	14	43
213-16706	ER32H45WE16	16	45

**AUFSTECKFRÄSDORNE FÜR FRÄSER MIT QUERNUT
FACE MILL HOLDERS-TENONS DRIVE
ОПРАВКИ ДЛЯ НАСАДНЫХ ФРЕЗ С УВЕЛИЧЕННЫМ ДИАМЕТРОМ КОРПУСА**

**MANDRINS PORTE-FRAISE-ENTRAINEMENT PAR TENONS
MANDRINI PORTAFRESE A TRASCINAMENTO FISSO
平面铣刀柄 - 凸榫驱动带有更大的法兰直径**

Code N.	Description	D	L1	L2
216-76704	ER25H22D16	16	22	17
216-76705	ER25H24D22	22	24	19
216-76701	ER32H22D16	16	22	17
216-76702	ER32H24D22	22	24	19
216-76703	ER32H26D27	27	26	21



KINTEK
COMPONENTI INNOVATIVI TECNOMECCANICI



NEW PRODUCTION PLANT
A.M.T. S.R.L. - CASELLE T.SE - TORINO - ITALY



HEAD OFFICE
KINTEK S.R.L. - MAPPANO - TORINO - ITALY



MAIN PRODUCTION PLANT
KINTEK TOOLING KFT - BEKESCSABA - HUNGARY

VIA GORETTA 88/G - 10072 MAPPANO
FRAZIONE DI CASELLE (TO) - ITALIA
Tel. +39.011.9968065 - Fax +39.011.9965662
<http://www.kintek.it> - e-mail: info@kintek.it