


KINTEK

MODULAR BORING SYSTEM
SISTEMA MODULARE DI BARENATURA




**MODULAR
BORING SYSTEM** 

MODULAR
BOHRSYSTEM 

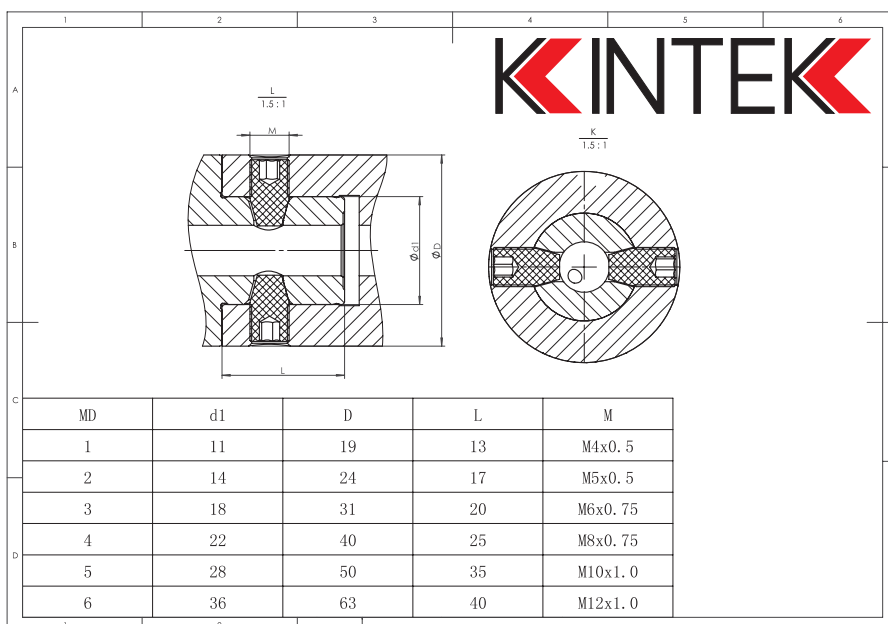
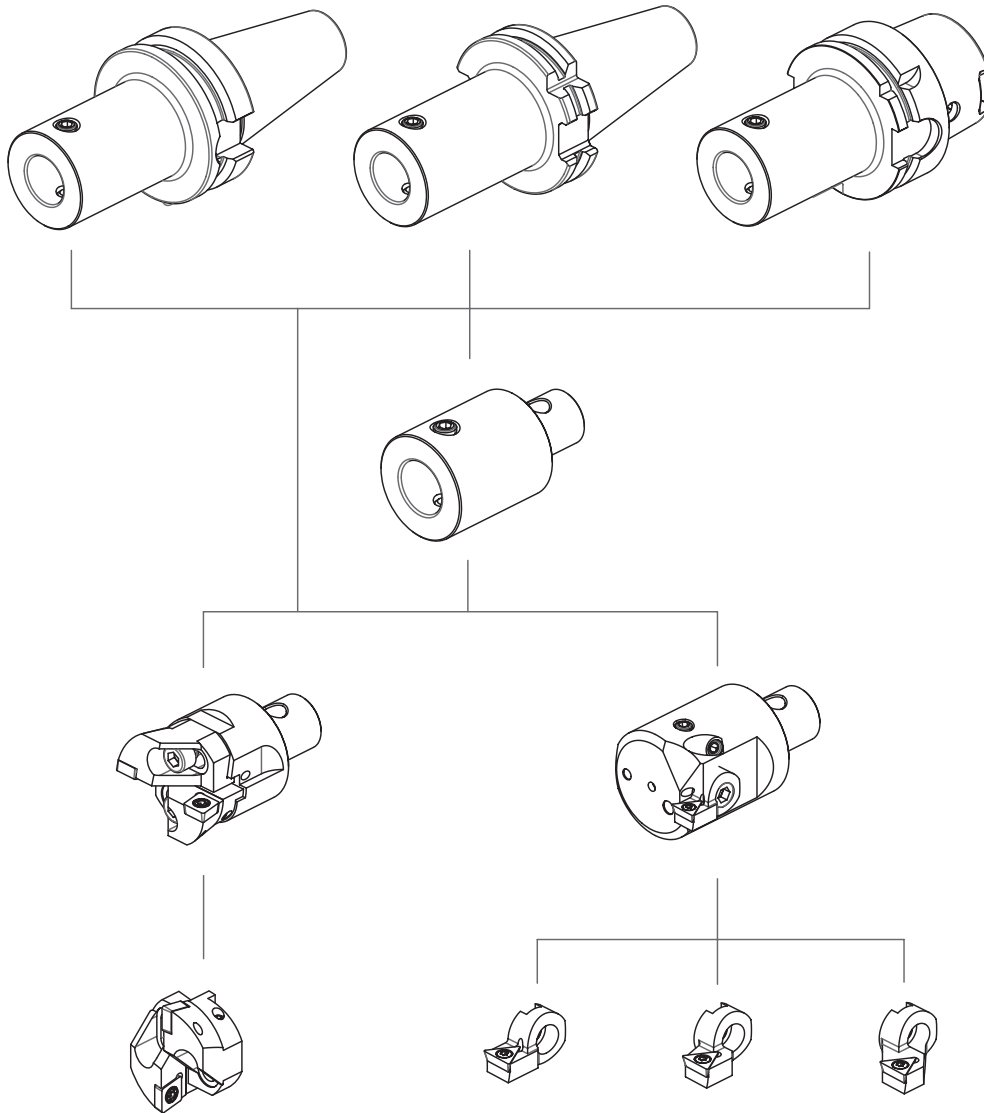
МОДУЛЬНАЯ СИСТЕМА
ДЛЯ РАСТОЧНЫХ РЕЗЦОВ 

SYSTÈME MODULAIRE
D'ALÉSAGE 

SISTEMA MODULARE
DI BARENATURA 

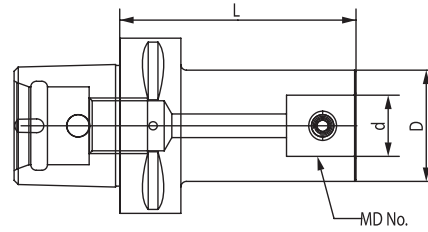
钻镗系统 

BORING SYSTEM



GRUNDAUFNAHME FÜR BOHRKÖPFE MIT POLYGONSCHAFT
POLYAGONAL ARBORS FOR BORING HEADS
ОПРАВКИ ДЛЯ ПОЛИГОНАЛЬНЫХ ГОЛОВOK

MANDRINS POUR TÊTE D'ALÉSAGE AVEC ATTACHMENT POLYGALE
ATTACCO BASE PER TESTINE DI ALESATURA - POLIGONALE
多边形接口的镗头座

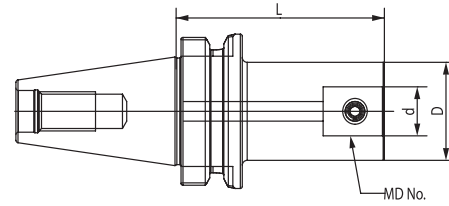


Code N.	Description	POLIGONAL	MD No.	D	L	d	Connection screw	Qt
290-07601	C50H85MD2	50	2	24	85	14	811-402093	2
290-07602	C50H100MD2	50	2	24	100	14	811-402093	2
290-07603	C50H95MD3	50	3	31	95	18	811-402094	2
290-07604	C50H125MD3	50	3	31	125	18	811-402094	2
290-07605	C50H85MD4	50	4	40	85	22	811-402095	2
290-07606	C50H130MD4	50	4	40	130	22	811-402095	2
290-07607	C50H75MD5	50	5	50	75	28	811-402096	2
290-07608	C50H125MD5	50	5	50	125	28	811-402096	2
290-07609	C63H85MD2	63	2	24	85	14	811-402093	2
290-07610	C63H100MD2	63	2	24	100	14	811-402093	2
290-07611	C63H95MD3	63	3	31	95	18	811-402094	2
290-07612	C63H125MD3	63	3	31	125	18	811-402094	2
290-07613	C63H85MD4	63	4	40	85	22	811-402095	2
290-07614	C63H130MD4	63	4	40	130	22	811-402095	2
290-07615	C63H75MD5	63	5	50	75	28	811-402096	2
290-07616	C63H125MD5	63	5	50	125	28	811-402096	2

GRUNDAUFNAHMEN FUER BOHRKÖPFE - MAS403/BT-AD
 ARBORS FOR BORING HEADS - MAS403/BT-AD
 ОПРАВКИ ДЛЯ РАСТОЧНЫХ ГОЛОВОК - MAS403/BT-AD

MANDRINS POUR TETES D'ALEPAGE - MAS403/BT-AD
 ATTACCO BASE PER TESTINE DI ALESATURA - MAS403/BT-AD
 镗头接头座-符合标准MAS403/BT-AD

JIS-B 6339 MAS 403/BT

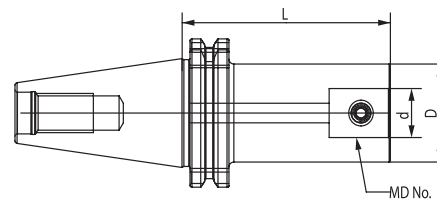


Code N.	Description	BT	MD No.	D	L	d	Connection screw	Qt
290-01517	BT30H80MD2	30	2	24	80	14	811-402093	2
290-01518	BT30H80MD3	30	3	31	80	18	811-402094	2
290-01519	BT30H70MD4	30	4	40	70	22	811-402095	2
290-01520	BT30H60MD5	30	5	50	60	28	811-402096	2
290-01501	BT40H85MD2	40	2	24	85	14	811-402093	2
290-01502	BT40H100MD2	40	2	24	100	14	811-402093	2
290-01503	BT40H95MD3	40	3	31	95	18	811-402094	2
290-01504	BT40H125MD3	40	3	31	125	18	811-402094	2
290-01505	BT40H85MD4	40	4	40	85	22	811-402095	2
290-01506	BT40H130MD4	40	4	40	130	22	811-402095	2
290-01507	BT40H75MD5	40	5	50	75	28	811-402096	2
290-01508	BT40H125MD5	40	5	50	125	28	811-402096	2
290-01521	BT40H65MD6	40	6	64	65	36	811-402101	2
290-01522	BT40H115MD6	40	6	64	115	36	811-402101	2
290-01509	BT50H85MD2	50	2	24	85	14	811-402093	2
290-01510	BT50H110MD2	50	2	24	110	14	811-402093	2
290-01511	BT50H80MD3	50	3	31	80	18	811-402094	2
290-01512	BT50H125MD3	50	3	31	125	18	811-402094	2
290-01513	BT50H115MD4	50	4	40	115	22	811-402095	2
290-01514	BT50H145MD4	50	4	40	145	22	811-402095	2
290-01515	BT50H105MD5	50	5	50	105	28	811-402096	2
290-01516	BT50H180MD5	50	5	50	180	28	811-402096	2
290-01523	BT50H95MD6	50	6	64	95	36	811-402101	2
290-01524	BT50H170MD6	50	6	64	170	36	811-402101	2

GRUNDAUFNAHMEN FUER BOHRKÖPFE - DIN69871-AD
ARBORS FOR BORING HEADS - DIN69871-AD
ОПРАВКИ ДЛЯ РАСТОЧНЫХ ГОЛОВОК - DIN69871-AD

MANDRINS POUR TETES D'ALEPAGE- DIN69871-AD
ATTACCO BASE PER TESTINE DI ALESATURA - DIN69871-AD
镗接头座 - 符合标准DIN69871-AD

DIN 69871

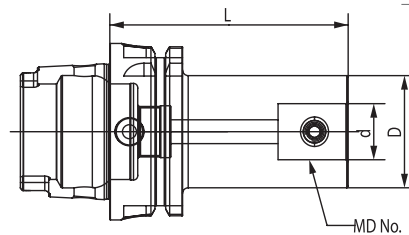


Code N.	Description	TC	MD No.	D	L	d	Connection screw	Qt
290-01201	TC40H85MD2	40	2	24	85	14	811-402093	2
290-01202	TC40H100MD2	40	2	24	100	14	811-402093	2
290-01203	TC40H95MD3	40	3	31	95	18	811-402094	2
290-01204	TC40H125MD3	40	3	31	125	18	811-402094	2
290-01205	TC40H85MD4	40	4	40	85	22	811-402095	2
290-01206	TC40H130MD4	40	4	40	130	22	811-402095	2
290-01207	TC40H75MD5	40	5	50	75	28	811-402096	2
290-01208	TC40H125MD5	40	5	50	125	28	811-402096	2
290-01217	TC40H65MD6	40	6	64	65	36	811-402101	2
290-01218	TC40H115MD6	40	6	64	115	36	811-402101	2
290-01209	TC50H85MD2	50	2	24	85	14	811-402093	2
290-01210	TC50H110MD2	50	2	24	110	14	811-402093	2
290-01211	TC50H80MD3	50	3	31	80	18	811-402094	2
290-01212	TC50H125MD3	50	3	31	125	18	811-402094	2
290-01213	TC50H115MD4	50	4	40	115	22	811-402095	2
290-01214	TC50H145MD4	50	4	40	145	22	811-402095	2
290-01215	TC50H105MD5	50	5	50	105	28	811-402096	2
290-01216	TC50H180MD5	50	5	50	180	28	811-402096	2
290-01219	TC50H95MD6	50	6	64	95	36	811-402101	2
290-01220	TC50H170MD6	50	6	64	170	36	811-402101	2

GRUNDAUFNAHMEN FUER BOHRKÖPFE - DIN69893/A
ARBORS FOR BORING HEADS - DIN69893/4
ОПРАВКИ ДЛЯ РАСТОЧНЫХ ГОЛОВОК - DIN69893/4

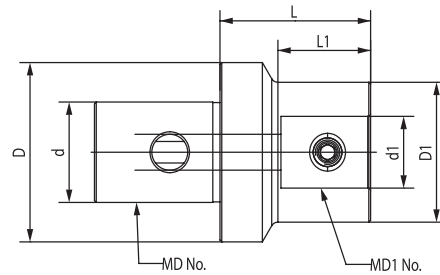
MANDRINS POUR TETES D'ALEPAGE- DIN69893/A
ATTACCO BASE PER TESTINE DI ALESATURA - DIN69893/A
镗接头座 - 符合标准DIN69893/A

DIN 69893/A



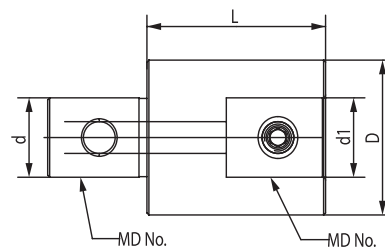
Code N.	Description	HSK	MD No.	D	L	d	Connection screw	Qt
290-01701	HSK63AH85MD2	63	2	24	85	14	811-402093	2
290-01702	HSK63AH100MD2	63	2	24	100	14	811-402093	2
290-01703	HSK63AH95MD3	63	3	31	95	18	811-402094	2
290-01704	HSK63AH125MD3	63	3	31	125	18	811-402094	2
290-01705	HSK63AH85MD4	63	4	40	85	22	811-402095	2
290-01706	HSK63AH130MD4	63	4	40	130	22	811-402095	2
290-01707	HSK63AH75MD5	63	5	50	75	28	811-402096	2
290-01708	HSK63AH125MD5	63	5	50	125	28	811-402096	2
290-01709	HSK63AH85MD6	63	6	64	85	36	811-402101	2
290-01710	HSK63AH100MD6	63	6	64	100	36	811-402101	2
290-01711	HSK63AH125MD6	63	6	64	125	36	811-402101	2

REDUKTIONEN FÜR BOHRKÖPFE RÉDUCTIONS POUR TÊTES D'ALÉSAGE
 REDUCTIONS FOR BORING HEADS RIDUZIONI PER TESTINE DI ALESATURA
 ПЕРЕХОДНИКИ ДЛЯ РАСТОЧНЫХ ГОЛОВOK 缩径杆



Code N.	Description	MD No.	MD1 No.	D	D1	L	L1	d	d1	Connection screw	Qt
291-30003	MD3L37MD2	3	2	31	24	37	25	18	14	811-402093	2
291-30005	MD4L50MD2	4	2	40	24	50	36	22	14	811-402093	2
291-30006	MD4L50MD3	4	3	40	31	50	37	22	18	811-402094	2
291-30008	MD5L54MD2	5	2	50	24	54	35	28	14	811-402093	2
291-30009	MD5L47MD3	5	3	50	31	47	29	28	18	811-402094	2
291-30010	MD5L42MD4	5	4	50	40	42	25	28	22	811-402095	2
291-30011	MD6L63MD2	6	2	64	24	63	45	36	14	811-402101	2
291-30012	MD6L56MD3	6	3	64	31	56	39	36	18	811-402101	2
291-30013	MD6L51MD4	6	4	64	40	51	35	36	22	811-402101	2
291-30014	MD6L41MD5	6	5	64	50	41	25	36	28	811-402101	2

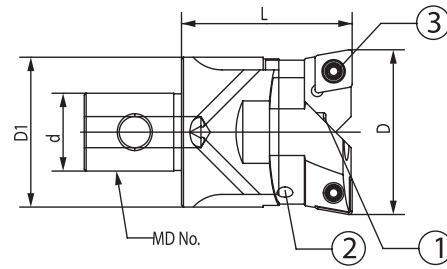
VERLÄNGERUNGEN FÜR BOHRKÖPFE RALLONGES POUR TÊTES D'ALÉSAGE
 EXTENSIONS FOR BORING HEADS PROLUNGHE PER TESTINE DI ALESATURA
 удлинители для расточных головок 扩展镗头



Code N.	Description	MD No.	D	L	d	d1	Connection screw	Qt
291-20001	MD2L30MD2	2	24	30	14	14	811-402093	2
291-20002	MD3L30MD3	3	31	30	18	18	811-402094	2
291-20003	MD4L45MD4	4	39	45	22	22	811-402095	2
291-20004	MD5L60MD5	5	50	60	28	28	811-402096	2
291-20005	MD6L60MD6	6	64	60	36	36	811-402101	2

ZWEISCHNEIDERBOHRKÖPFE MIT EINBAUHALTER
DOUBLE-BIT HEADS WITH CARTRIDGE
ДВУХРЕЗЦОВЫЕ ГОЛОВКИ С КАРТРИДЖАМИ

TETE A DOUBLE TRANCHANT AVEC CARTOUCHE
TESTINA DI ALESATURA BILAMA COMPLETA DI CARTUCCE
带刀片座的双位刀头



Code N.	Description	MD No.	D	D1	L	d
523-90001	MD2-CL2533	2	25-33	23,5	35,5	14
523-90002	MD3-CL3242	3	32-42	30,5	40	18
523-90003	MD4-CL4154	4	41-54	38,5	47	22
523-90004	MD5-CL5370	5	53-70	49,5	57	28
523-90005	MD6-CL6890	6	68-90	63	71	36
523-90006	MD6-CL88110	6	88-110	63	71	36
523-90007	MD6-CL98126	6	98-126	63	71	36
523-90008	MD6-CL125153	6	125-153	63	71	36

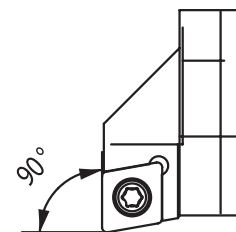
Code N.	① Lock screw	① Code N.	② Qt	② Adjusting screw	② Code N.	① Qt	① Internal hex.wrench	① Code N.	② Qt	② Internal hex.wrench	② Code N.	② Qt
523-90001	M5*20	811-401160	2	M3*6	811-402090	2	S4	816-111029	1	S1.5	816-111030	1
523-90002	M6*20	811-401161	2	M4*8	811-402091	2	S5	816-111031	1	S2	816-111032	1
523-90003	M8*25	811-401162	2	M5*8	811-402092	2	S6	816-111028	1	S2.5	816-111034	1
523-90004	M10*35	811-401167	2	M6*12	811-402082	2	S8	816-111020	1	S3	816-111021	1

③ Insert wrench	③ Code N.	③ Qt	③ Insert screw	③ Code N.	③ Qt	③ Code N.	③ Description	③ MD N	③ MD NO	③ Insert	③ Code N.	③ Insert screw	③ Qt
T8	816-122010	1	m2,5x6	811-226018	2	523-90001	CRT-2533	2	2	CC..0602..	811-226018	M2.5*6	2
T15	816-122011	1	m4x10	811-256026	2	523-90002	CRT-3242	3	2	CC..09T3..	811-256026	M4*10	2
T15	816-122011	1	m4x10	811-256026	2	523-90003	CRT-4154	4	2	CC..09T3..	811-256026	M4*10	2
T20	816-122012	1	m5x12	811-256027	2	523-90004	CRT-5370	5	2	CC..1204..	811-256027	M5*12	2

* CARTRIDGE INCLUDED - * COMPLETA DI CARTUCCIA

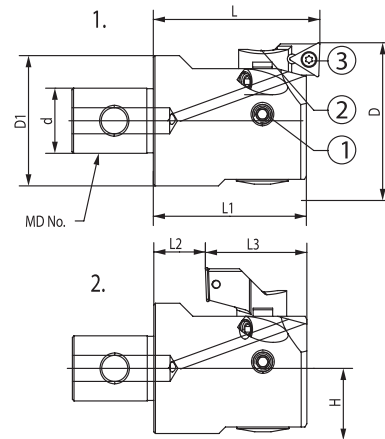
EINBAUHALTERPAAR FÜR ZWEISCHNEIDERBOHRKOPF
COUPLE OF SPARE CARTRIDGES FOR TWIN CUTTER BORING HEADS
СМЕННЫЕ КАРТРИДЖИ ДЛЯ ДВУХРЕЗЦОВЫХ ГОЛОВКИ

COUPLE DE CARTOUCES POUR TÊTE D'ALÉSAGE À LAME DOUBLE TRANCHANT
COPPIA DI CARTUCCE DI RICAMBIO PER TESTINE DI ALESATURA BILAMA
双位刀头的刀片座配件(一对)



Code N.	Description	MD No.	Insert	Insert screw	Qt
524-90001	CRT-2533	2	CC..0602..	811-226018	2
524-90002	CRT-3242	3	CC..09T3..	811-256026	2
524-90003	CRT-4154	4	CC..09T3..	811-256026	2
524-90004	CRT-5370	5	CC..1204..	811-256026	2
524-90005	CRT-6890	6	CC..1204..	811-256026	2
524-90006	CRT-88110	6	CC..1204..	811-256026	2
524-90007	CRT-98126	6	CC..1204..	811-256026	2
524-90008	CRT-125153	6	CC..1204..	811-256026	2

FEINBEARBEITUNGSKÖPFE MIT EINBAUALTER (*) TETES D'ALEPAGE DE FINITION AVEC CARTOUCHE (*)
 FINISHING BORING HEADS WITH CARTRIDGE (*) TESTINA DI ALESATURA PER FINITURA COMPLETA DI CARTUCCIA (*)
 ПРЕЦИЗИОННЫЕ РАСТОЧНЫЕ ГОЛОВКИ С КАРТРИДЖАМИ (*) 带刀片座的精镗头 (*)



Code N.	Description	MD No.	d	Cartridge	1.				2.			
					D	D1	L	L1	D	L2	L3	H
533-90001	MD2-FNT2547	2	14	*534-90001	25-33				-			
				534-90002	32-40	24	35,5	33	36-40	11,5	21,5	12,5
				534-90003	39-47				39-47			
533-90002	MD3-FNT3260	3	18	*534-90004	32-42				-			
				534-90005	41-51	31	40	37	46-51	10	27	16
				534-90006	50-60				50-60			
533-90003	MD4-FNT4174	4	22	*534-90007	41-54				-			
				534-90008	50-63	40	47	43	53-63	12	31	20
				534-90009	61-74				61-74			
533-90004	MD5-FNT5395	5	28	*534-90010	53-70				62-70			
				534-90011	65-82	50	57	52	65-82	15	37	25,5
				534-90012	78-95				78-95			
533-90005	MD6-FNT68150	6	36	*534-90013	68-100				80-100			
				534-90014	94-126	64	71	67	94-126	23	44	32,5
				534-90015	118-150				118-150			

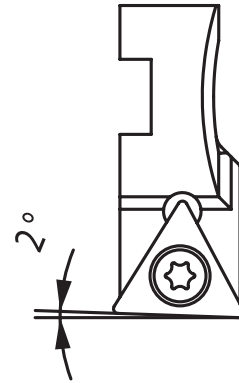
Code N.	① Lock screw	① Code N.	① Qt	② Lock screw for cartridge	② Code N.	② Qt	①-② Adjusting wrench	①-② Code N.	①-② Qt
533-90001	M4*5	811-401163	1	M3*6	811-402086	1	S2	816-111035	1
533-90002	M5*6	811-401164	1	M4*8	811-402087	1	S2.5	816-111036	1
533-90003	M6*10	811-401165	1	M5*10-S3	811-402088	1	S3	816-111037	1
533-90004	M8*12	811-401166	1	M5*10-S4	811-402089	1	S4	816-111038	1

③ Insert wrench	③ Code N.	③ Qt	③ Insert screw	③ Code N.	③ Qt
T6	816-122009	1	M2*4.5	811-286007	1
T6	816-122009	1	M2*5	811-286008	1
T8	816-122010	1	M2.5*6	811-226018	1
T8	816-122010	1	M2.5*6	811-226018	1



- * EINBAUALTER MONTIERT AUF DEM KOPF
- * CARTRIDGE ASSEMBLED IN BORING HEAD
- * КАРТРИДЖИ УСТАНОВЛЕНЫ НА РАСТОЧНУЮ ГОЛОВКУ
- * CARTOUCHE MONTÉE DANS LA TÊTE
- * CARTUCCIA MONTATA NELLA TESTINA
- * 安装在刀头的刀片座

EINBAUHALTER FÜR FEINBEARBEITUNGSKÖPFE
 CARTRIDGES FOR FINISHING BORING HEADS
 CARTOUCHES POUR TÊTES D'ALÉSAGE DE FINITION
 CARTUCCE PER TESTINE DI ALESATURA DI FINITURA
 КАРТРИДЖИ ДЛЯ ПРЕЦИЗИОННЫХ РАСТОЧНЫХ ГОЛОВОК
 精镗头的刀片座



Code N.	Description	MD No.	Insert	Insert screw	Qt
534-90001	CRF-2533/MD2	2	TC..06T102..	811-286007	1
534-90002	CRF-3240/MD2				
534-90003	CRF-3947/MD2				
534-90004	CRF-3242/MD3	3			
534-90005	CRF-4151/MD3				
534-90006	CRF-5060/MD3				
534-90016	CRF-2735/MD2	2	CC..0602..	811-226021	1
534-90017	CRF-3240/MD2				
534-90018	CRF-3947/MD2				
534-90019	CRF-3242/MD3	3			
534-90020	CRF-4154/MD3				
534-90021	CRF-5060/MD3				
534-90007	CRF-4154/MD4	4	TC..1102..	811-226018	1
534-90008	CRF-5063/MD4				
534-90009	CRF-6174/MD4				
534-90010	CRF-5370/MD5	5			
534-90011	CRF-6582/MD5				
534-90012	CRF-7895/MD5				
534-90013	CRF-68100/MD6	6	TC..1102..	811-226018	1
534-90014	CRF-94126/MD6	6	TC..1102..	811-226019	1
534-90015	CRF-118150/MD6	6	TC..1102..	811-226020	1